



**MOBILIS**

**BOUÉES D'AMARRAGE  
MOORING BUOYS**

Since 1990, Mobilis has been designing and manufacturing buoys for use in rivers and oceans. MOBILIS always strives to offer the best solutions using the latest technology. Thanks to a strong reputation for quality and a wide range of products, Mobilis has an ever increasing customer base and is trusted worldwide to provide the best solution for marine safety.

**Mobilis mooring buoy system :**  
Mobilis offers customized mooring system (buoy, chain, anchor)  
to meet customer specifications.

**Engineering Capability**

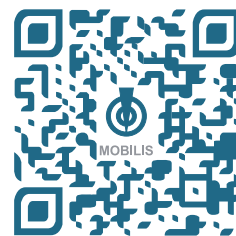
The Mobilis team will discuss your requirements with you and using many years of experience, will propose a solution customised to meet that requirement. Complete client confidentiality will be maintained at all time

**Strengths**

**In-house engineering with mechanical, electrical and software design All design and manufacture undertaken with our ISO-9001 quality system**

**Communication with 6 languages**

French, English, Dutch, Spanish,  
Japanese, Arabic...



+33.(0)4.42.37.15.00

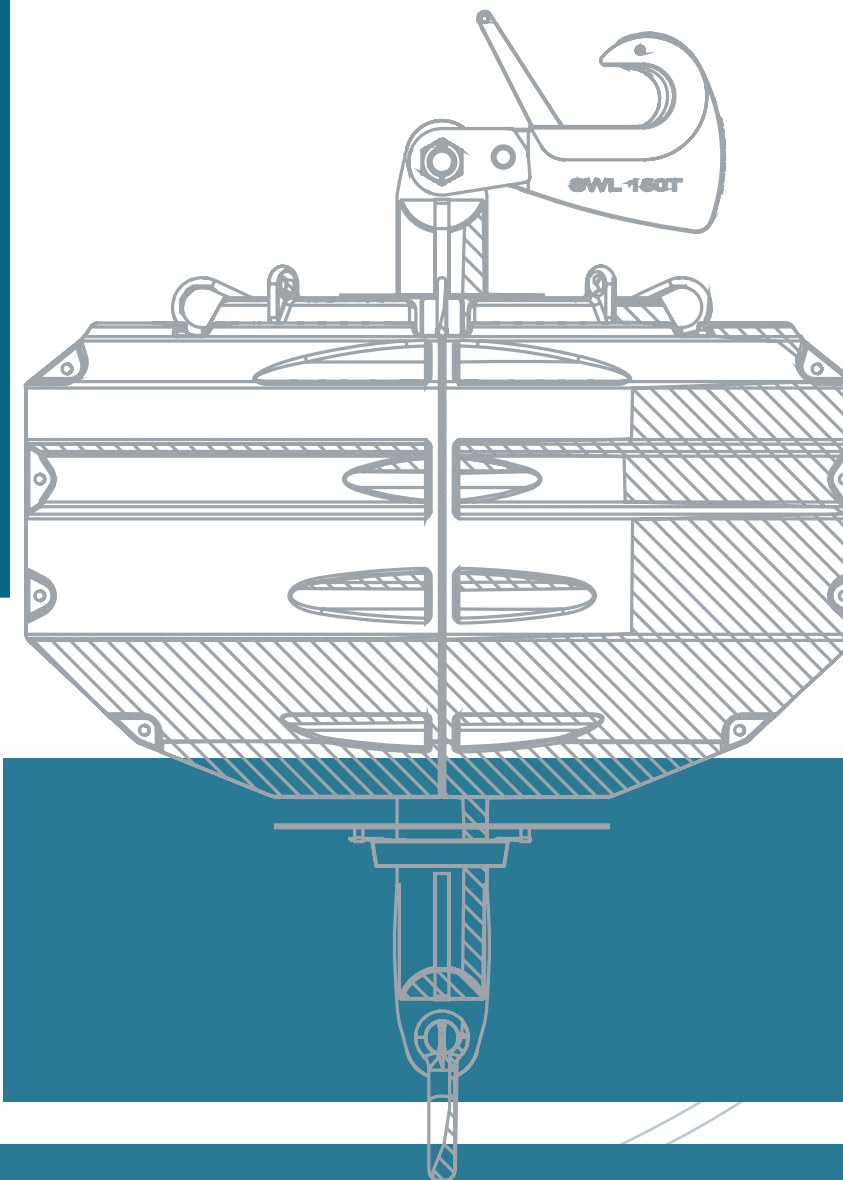
**MOBILIS**  
370, rue Jean de Guiramand BP 49000  
13792 Aix en Provence Cedex 3

@ www.mobilis-sa.com



mobilis@mobilis-sa.com

IC13 - 06 - Brochure MB - 10/14



# NOTRE GAMME DE COFFRES D'AMARRAGE / OUR MOORING BUOYS RANGE

## Petit / Small



AMR 650

Sentier sous marin  
Beaoning buoy

## Moyen / Medium



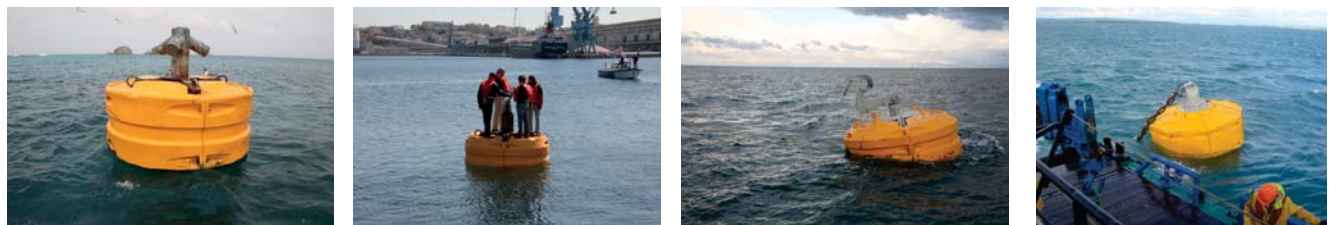
AMR 600

AMR 1000  
Bouée de repos  
Rest buoy

AMR 1500

AMR 2500

## Large / Large



AMR 5000

AMR 7000

AMR 9000

AMR 17000



Coffres AMR 9000 en opération en mer Méditerranée / Mooring buoys in operation in Mediterranean sea

# SPECIFICATIONS



L'équipe d'experts MOBILIS (architecte naval et bureau d'ingénierie) étudie chaque projet au cas par cas pour proposer des solutions d'amarrage dédiées et optimisées en fonction des types de bateaux et des conditions de site.

The team of Mobilis experts (naval architect and engineering department) are dedicated to consider each project on a case by case basis, to provide dedicated mooring systems optimized depending on the types of boats and site conditions.

Les AMR (coffres d'amarrage) MOBILIS sont définis par deux critères:

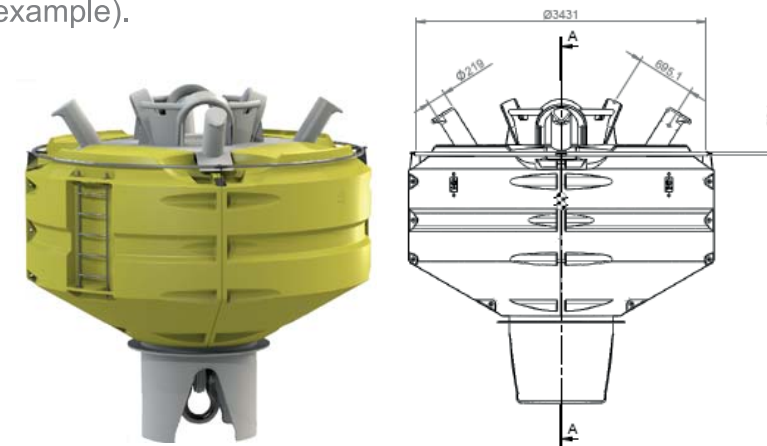
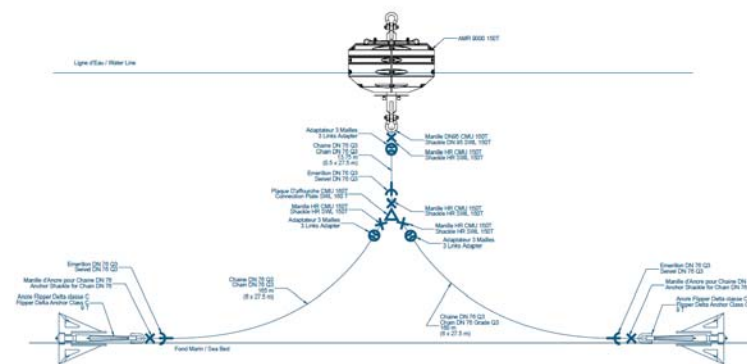
- ✓ la CMU (jusqu'à 300t)
- ✓ la flottabilité (jusqu'à 17m<sup>3</sup>)
- ✓ terminaisons: manille, D-link, QRH, statique T

According to the models we propose:

- ✓ SWL (until 300t)
- ✓ buoyancy (until 17m<sup>3</sup>)
- ✓ mooring link: shackles, D-link, QRH, static T

Sur demande, MOBILIS adapte la platine de fixation de la structure d'acier pour ajuster et monter tout type de terminaison spécifique (un QRH par exemple).

On demand, MOBILIS adapts its fixing plate of the steel structure in order to adjust and mount every type of specific mooring link (a QRH for example).



Exemples de solutions conçues sur mesure par Mobilis et dédiées à une application selon les spécifications client.

Examples of customized solutions designed by Mobilis and dedicated to an application according to customer specifications.